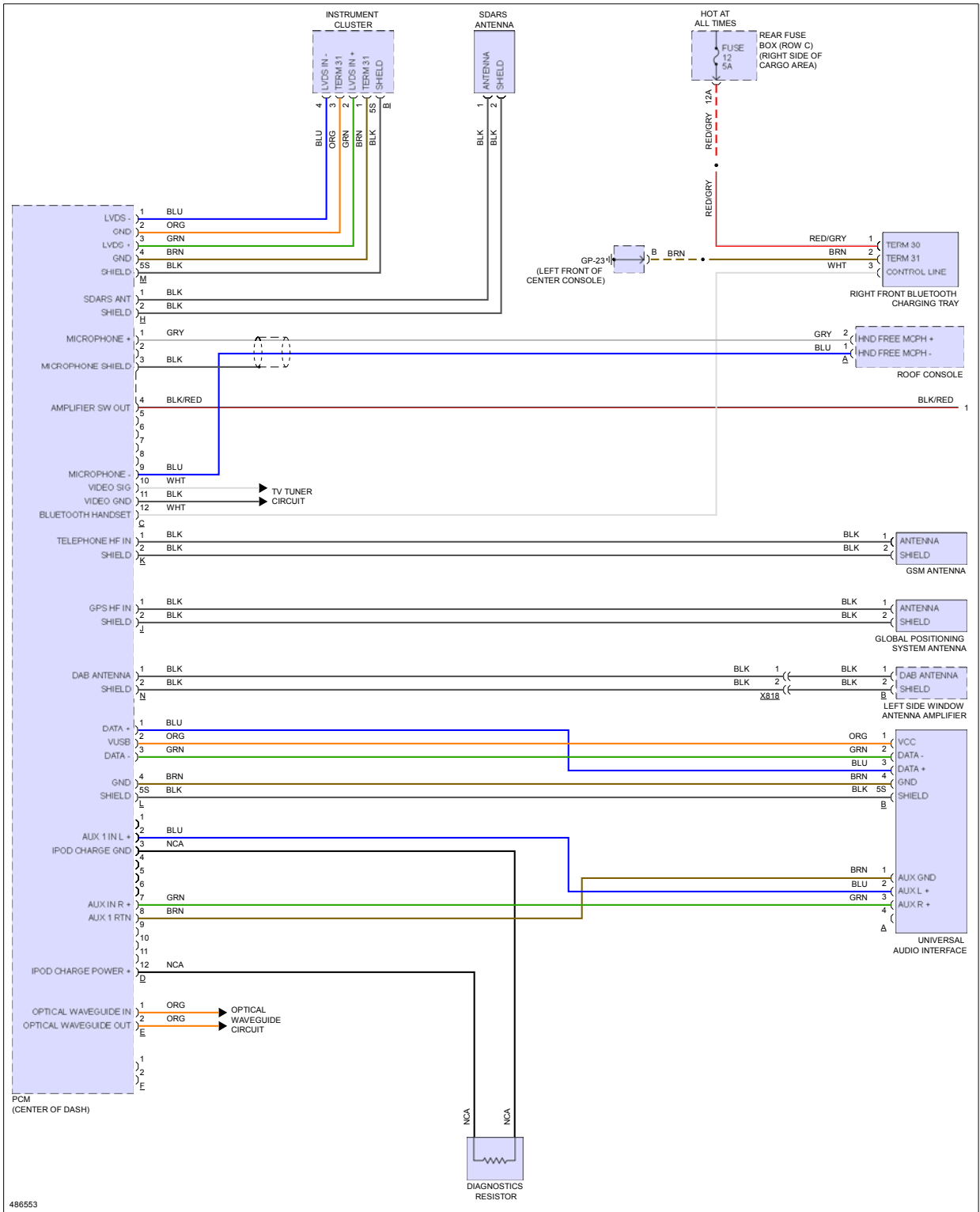


Fig 3: Navigation Circuit, W/ ASK (1 of 3)



486553

Fig 4: Navigation Circuit, W/ ASK (2 of 3)

